



Best Technology
For Your Laboratory

**SMART HOT & COLD INCUBATOR
WITH FORCED AIR CIRCULATION
S CLASS**

SMART HOT & COLD INCUBATOR WITH FORCED AIR CIRCULATION S CLASS

CIF55S



Overview | CIF55S

FG cooled incubators are equipped with various features, including high precision, repeatability, and temperature uniformity, making them suitable and reliable for the growth of microorganisms and creating a constant temperature environment in scientific, research, and industrial laboratories.

S-class incubators, with their ability to connect to the internet in the cloud space, provide users with the easiest and most convenient way to monitor and analyze extensive data from any location worldwide.

The CIF55S is a 55-Liter forced-air circulation smart incubator.

Main features | CIF55S

Inner chamber and Heater element container made of stainless steel

The heater element embedded by stainless steel shield

External Case Coated with electrostatic powder paint

Inner door made of tempered safety glass

Circulation fan system with air channel

Equipped with Error Alarm

High energy efficiency

PT100 sensor

Special benefits | CIF55S

HCT (Homogeneous chamber technology)

Temperature stability and reproducibility

Uniformity @ 27 points of chamber

Triple-walled chamber

Fast recovery time

DUAL SAFETY

Class 3.3 independent temperature safety device (DIN12880)

Visual and audible temperature alarm

2 PT100 sensors

Cooling system with the unique technology of NON-CUT

Operable in environmental conditions with high temperatures (up to 30°C)

Temperature stability of $\pm 0.1^{\circ}\text{C}$, even in the cooling mode

40% saving in energy consumption

Frost-free

Special benefits | CIF55S

S class controller

The new generation of smart timer is adjustable up to 999 hours and permanent work capability
A wide range of options for programming and documentation using interfaces, integrated data logger and Software FG SMART MONITOR

All parameters are stored in internal memory for up to 1 year

All parameters logged even in case of **power failure**

More stability thanks to the **fuzzy controller**

Setting all parameters online/offline

Connect to internet with **Wi-Fi**

ARM series microcontroller

User-friendly calibration

Various temp alarm

Open door alarm

USB port

Special benefits | CIF55S

FG SMART MONITOR

Multiplatform application (Android, Linux, IOS, windows, macOS, chromium and ...)

Programming, managing & transferring data by USB flash

Various reports with graphs and tables in pdf/excel format

Unlimited programs, each program up to 100 steps

Weekly, monthly **automatic report** by email

Online controller display lock/unlock

Reports according to **GMP /GLP**

User friendly **online calibration**

Online monitoring and alarms

Temperature ramp setting

SMS/email notification

weekly program

Inner chamber

Silicon tape around the door resistant to temperatures of up to 320°C

Easy access to the element container and cooling system for cleaning

Easy loading and unloading of specimen material

Circulation fan system with air channel

2 chrome -plated racks included

Fully stainless-steel chamber

Adjustable height of shelves

Rack with tilt protection

Easy cleaning

Special benefits | CIF55S

Outer body

Very tight door closure with 2-points door latch

Beautiful and ergonomic design

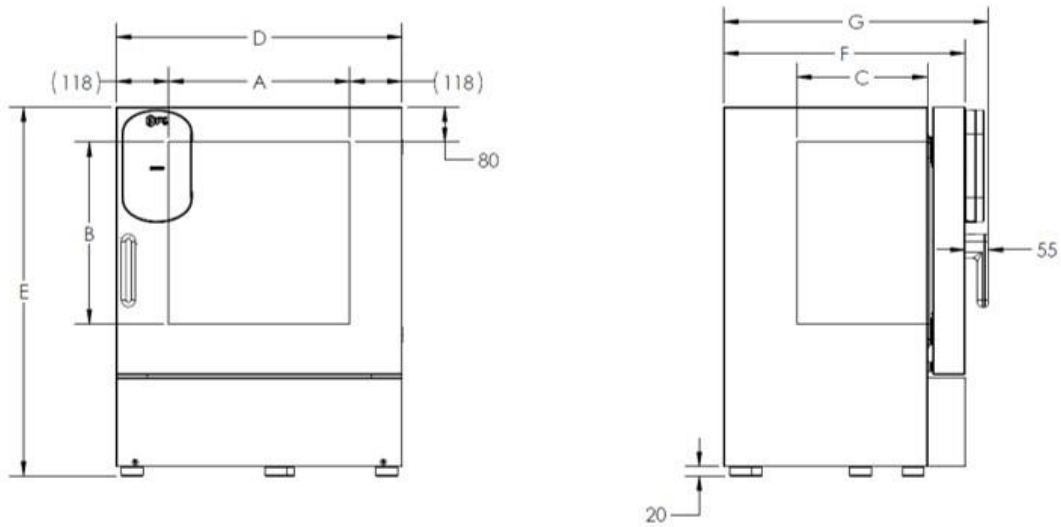
Service and guaranty

10-years after-sales service

5-years heater warranty

2-years guaranty

Specification | CIF55S



Exterior dimensions

Wall clearance, side (cm)	16
Wall clearance, rear (cm)	10
Depth Plus door handle and controller (cm) (G)	60
Depth without door handle and controller (cm) (F)	54.5
Height (incl. feet) (cm) (E)	84.5
Width (cm) (D)	64.5
Weight (empty) (kg)	72
Number of doors (ea.)	1
Number of interior glass doors (ea.)	1

Interior dimensions

Interior volume (l)	50
Height (cm) (B)	41.5
Width (cm) (A)	41
Depth (cm) (C)	29.5
Permitted total load (kg)	60
Load per rack (kg)	30
Racks number standard (max)	2 (4)
Circulation fan	Yes

Specification | CIF55S

Temperature data

Temperature range (°C)	-5 to 80
Display accuracy (deviation) @ 5°C (±K)	±0.1
Display accuracy (deviation) @ 37°C (±K)	±0.1
Display accuracy (deviation) @ 70°C (±K)	±0.1
Temperature fluctuation @ 5°C (±K)	±0.2
Temperature fluctuation @ 37°C (±K)	±0.2
Temperature fluctuation @ 70°C (±K)	±0.2
Setting temperature accuracy	±0.1

Uniformity @ 27 points of chamber (variation)

@ 5°C (±k)	±0.9
@ 37°C (±k)	±0.4
@ 70°C (±k)	±0.9

Heating-up/Cooling-down time*

Cooling down time to 5°C (min)	50
Heating up time to 37°C (min)	20
Heating up time to 70°C (min)	30

Recovery time after doors were open for 30 sec *

@ 5°C (min)	5
@ 37°C (min)	5
@ 70°C (min)	10

Specification | CIF55S

Electrical data

Power (W)	660
Frequency (HZ)	50
Voltage (V AC)	220
Current (A)	3
Power type	single phase CEE 7/7 plug (compatible with E and F)
Plug type	

Electric energy consumption

@ 5°C (Wh/h)	240
@ 37°C (Wh/h)	50
@ 70°C (Wh/h)	120

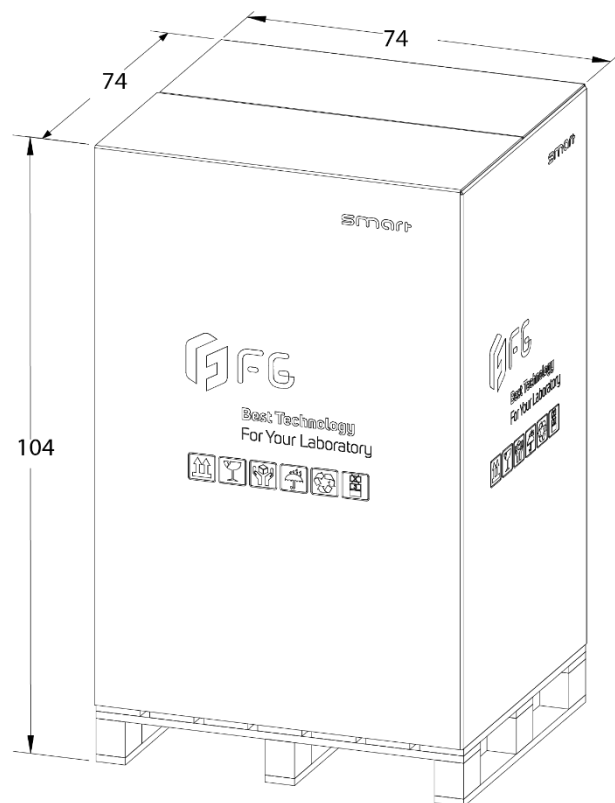
Packing/ shipping data

Transport information	Device Must be transported upright
Width incl carton (CM) approx.	74
Height incl carton & pallet underneath (CM) approx.	104
Depth incl carton (CM) approx.	74
Packing Material	Carton & pallet underneath
Gross weight with packing (KG) approx.	86

Specification | CIF55S

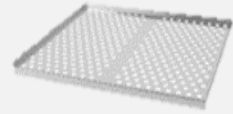
* To 98% of the set value

- All technical data are specified for units with standard equipment at an ambient temperature of 25 °C and a line voltage fluctuation of $\pm 10\%$
- FG reserves the right to change technical specifications at any time



Options and accessories | CIF55S

Additional stainless-steel rack



Access port with silicone plug



Metal-framed glass doors



Qualification folder IQ/OQ/PQ



Calibration certificate



Interior lighting



External sensor

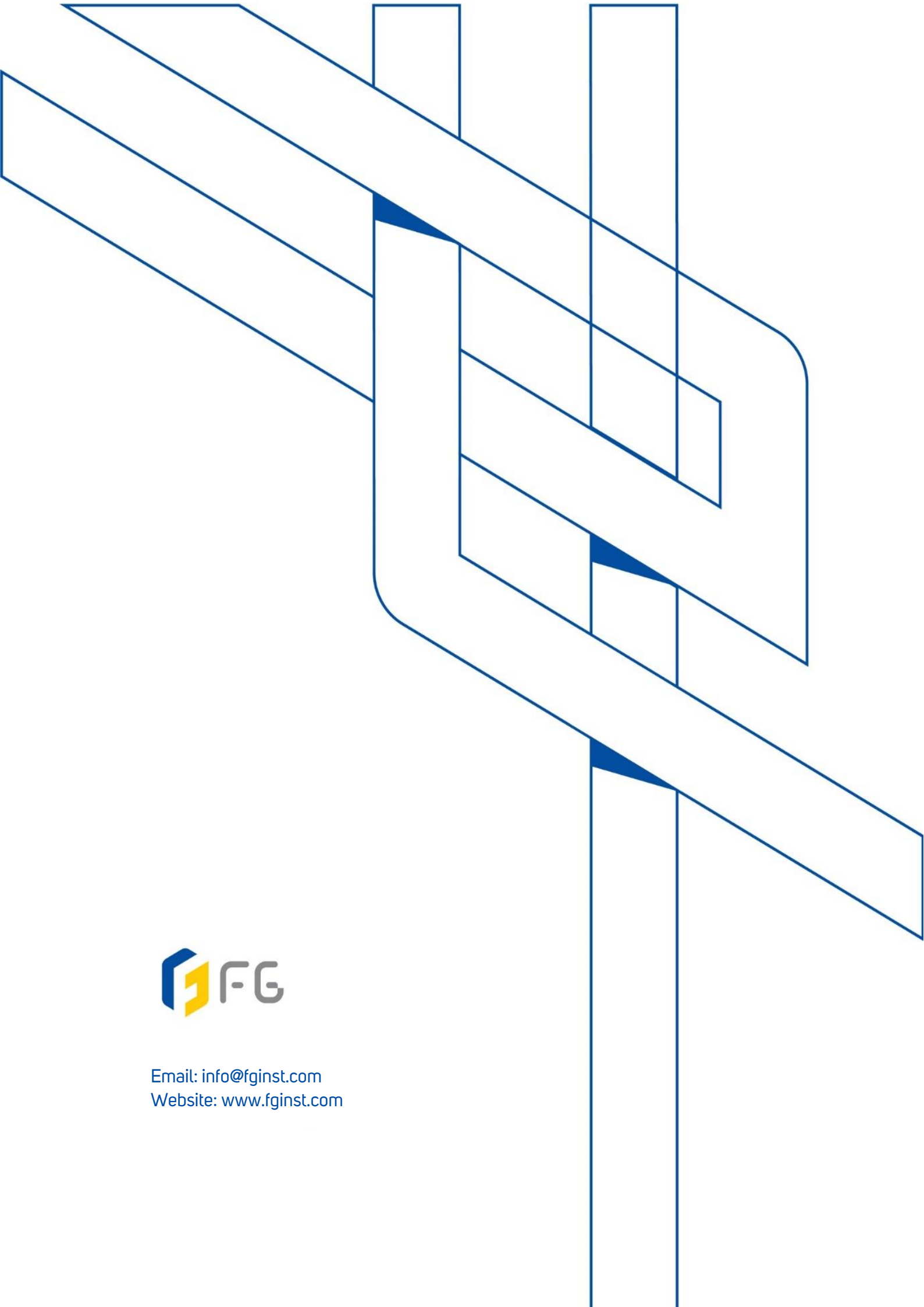


Rack



Door lock





Email: info@fginst.com
Website: www.fginst.com